

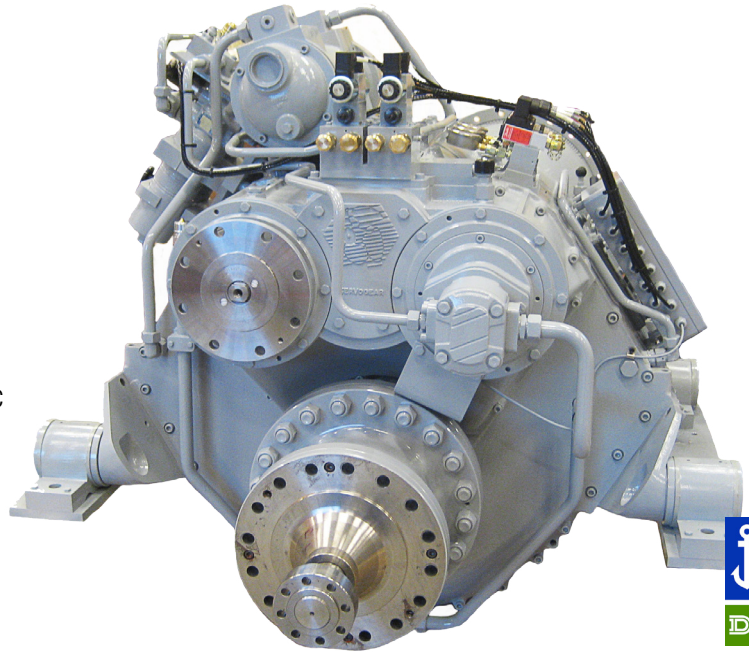
GEARBOX



HD450

Servogear HD450 gearbox is available as H-gear configuration, U-gear configuration and a PTI-gear configuration.

All Servogear gearboxes can be supplied with elastic gearbox suspensions and are type approved by DNV GL.

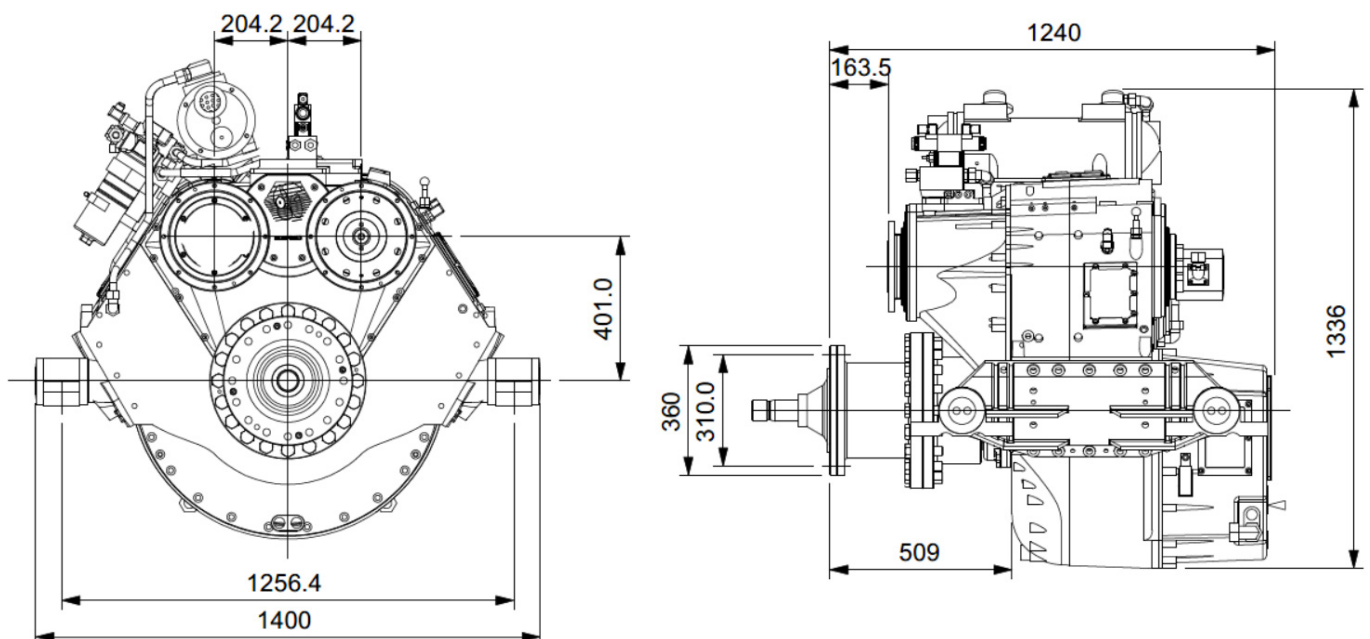


Type
Approved
Product

Technical specifications

Configuration	kW / RPM	Torque (Nm)	Standard reduction ratios	Weight (dry) approx.kg
U-drive	0,688	6580	5,00 : 1	1700
H-drive	0,688	6580	5,00 : 1	1725
PTI-drive	1,378	2 x 6580	5,00 : 1	1850

Dimensions (mm) *



* Dimensions for PTI-drive