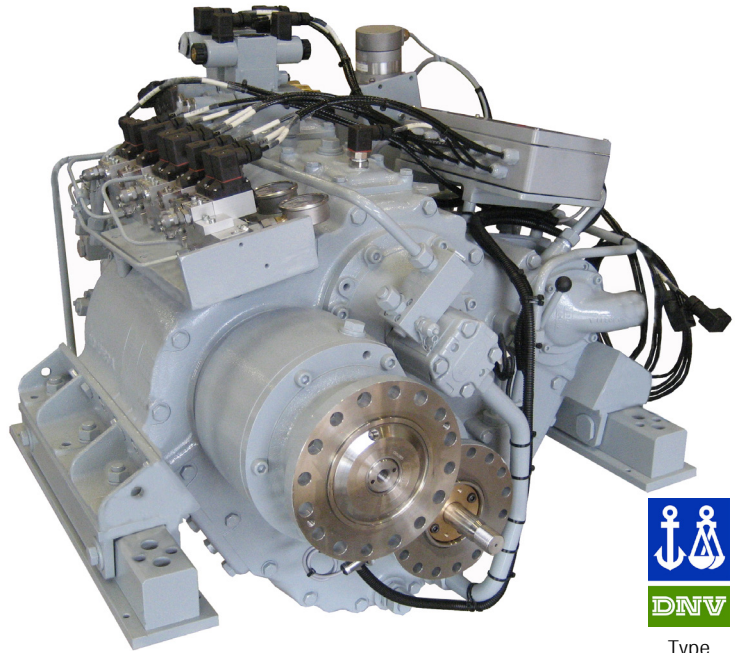


HD250

Servogear HD250 gearbox is available as H-gear configuration, U-gear configuration and a PTI-gear configuration.

The H-drive can either be as a freestanding gearbox or flanged to the engine via a SAE 1 flange. The H and U gearbox can be supplied with a possibility to run a primary driven non clutchable PTO pump rated at max 420Nm.

All Servogear gearboxes are type approved by DNV GL.

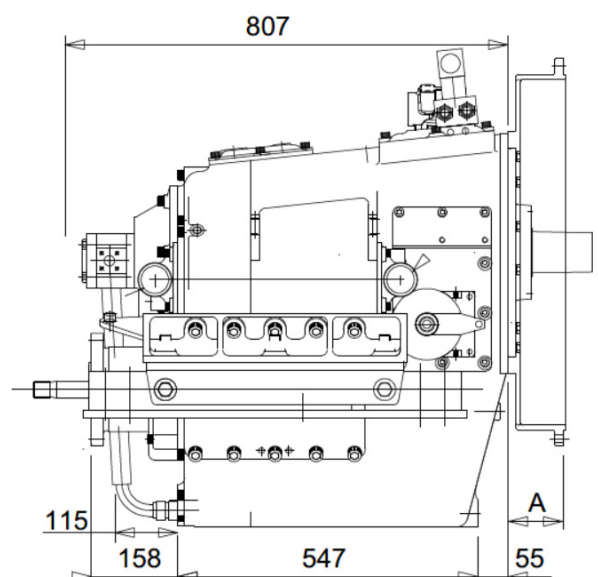
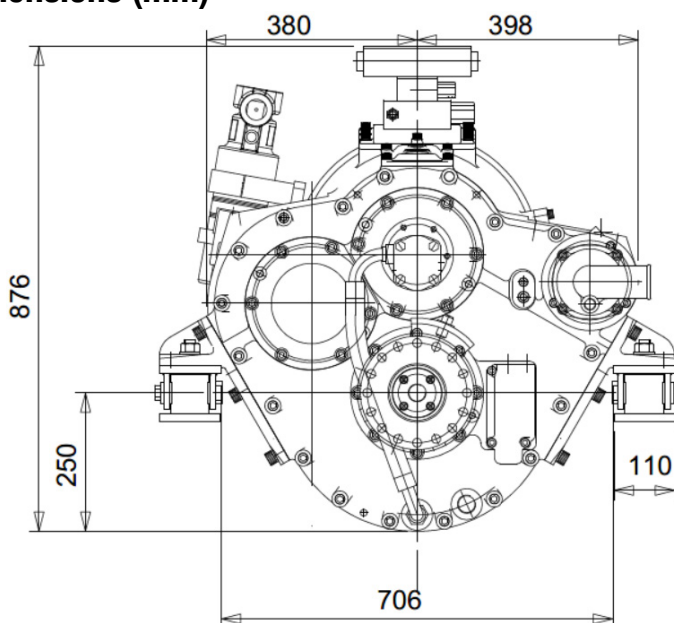


Type
Approved
Product

Technical specifications

Configuration	kW / RPM	Torque (Nm)	Standard reduction ratios	Weight (dry) approx.kg
U-drive	0,599	5730	2,16 : 1	695/615
	0,599	5730	2,63 : 1	
H-drive	0,599	5730	2,16 : 1	660/590
	0,599	5730	2,63 : 1	
PTI-drive	0,681	2 x 3251	2,16 : 1	740
	0,681	2 x 3251	2,63 : 1	

Dimensions (mm) *



* Dimensions for H-drive