

GEARBOX

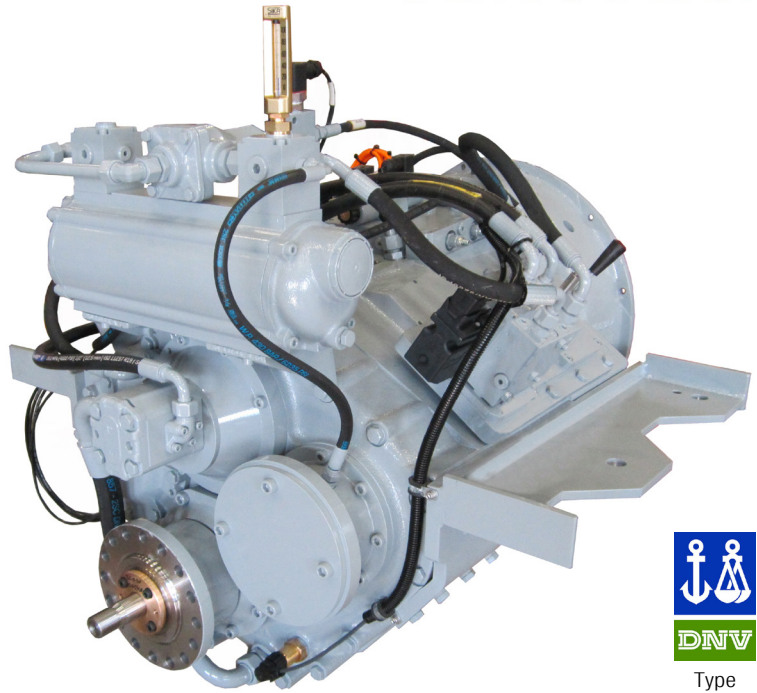


HD220

Servogear HD220 gearbox is available as H-gear configuration and U-gear configuration. The H-gear configuration can either be as a freestanding gearbox or flanged to the engine via a SAE 1 flange.

The gearbox can be supplied with one or two primary driven non clutchable PTO drives max rated at 2 x 910Nm.

All Servogear gearboxes are type approved by DNV GL.

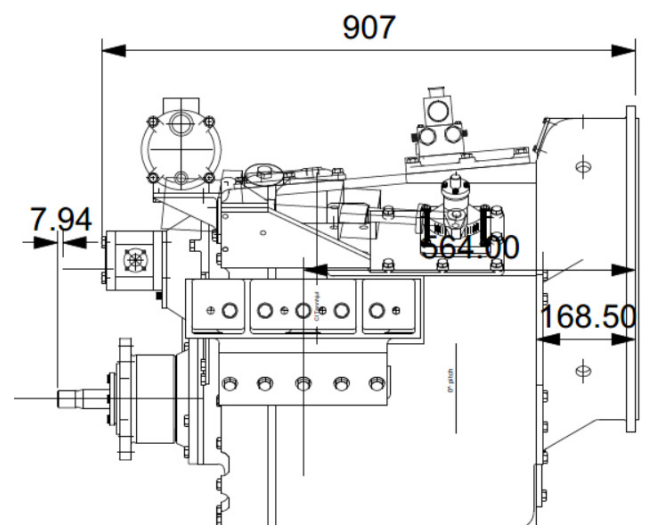
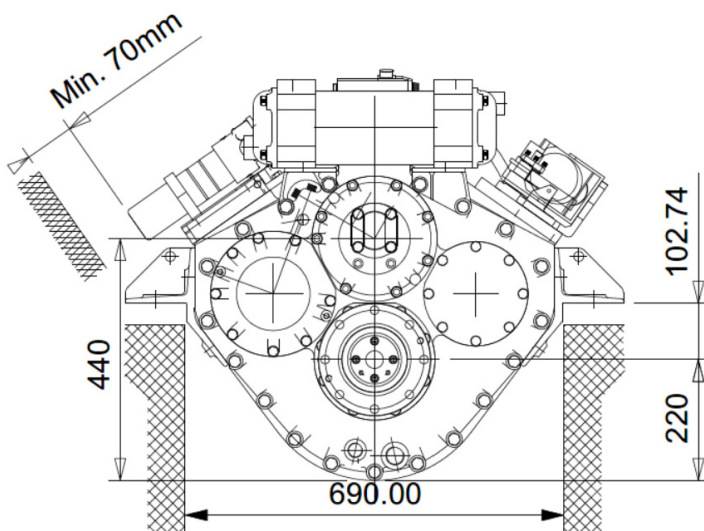


Type
Approved
Product

Technical specifications

Configuration	kW/ RPM	Torque (Nm)	Standard reduction ratios	Weight (dry) approx.kg
U-drive	0,404	3865	2,148 : 1	525/460
	0,347	3320	2,609 : 1	
	0,404	3865	2,952 : 1	
H-drive	0,404	3865	2,148 : 1	560/460
	0,404	3865	2,952 : 1	
	0,347	3320	2,609 : 1	

Dimensions (mm) *



* Dimensions for H-drive